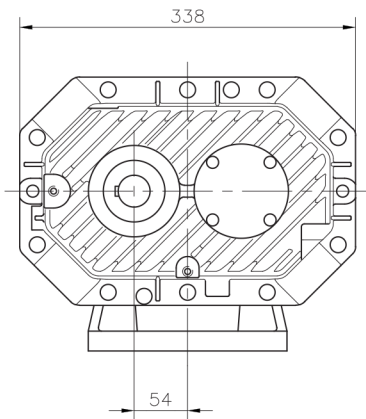
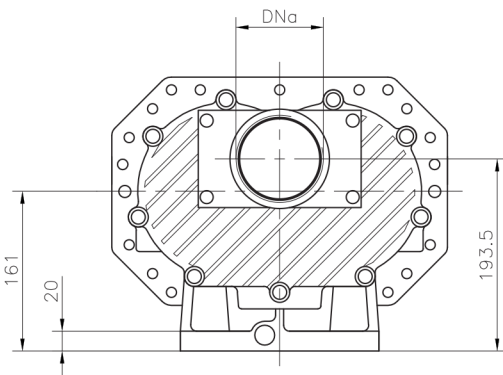
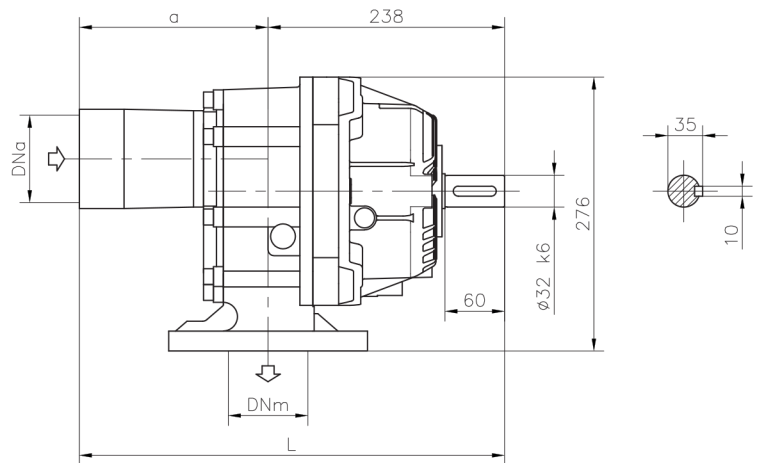


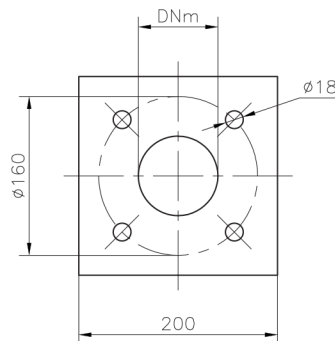
SOFFIATORE 73-103
Blower 73-103



Drive end view / Vista lato comando



Non-drive end view / Vista lato opposto comando



Model Modello	DNa	DNm	a	L	weight kg peso kg
73	G 3	80/3"	160	398	67
103	G 3	80/3"	190	428	74

(1) Not certified dimensions and weights.
They may vary according to installed motor manufacturer
(1) Dimensioni e pesi in funzione della marca del motore installato.