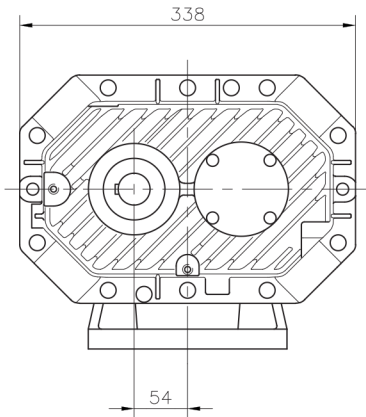
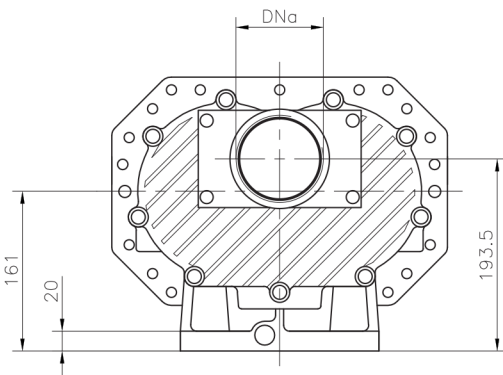
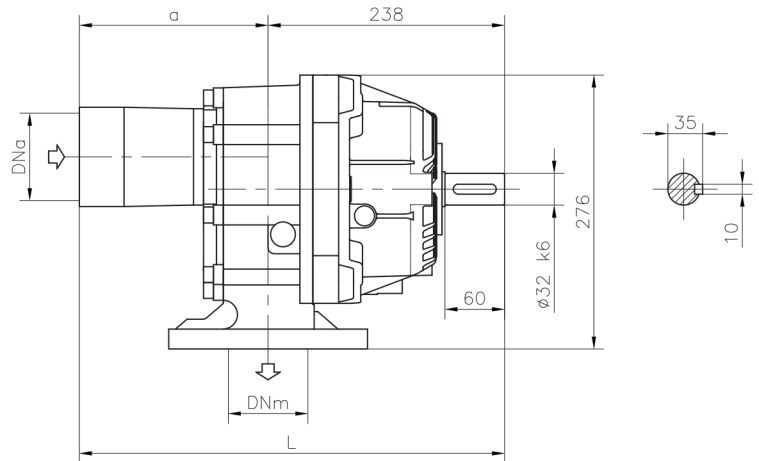


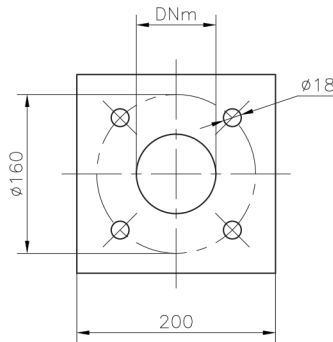
**SOFFIATORE 73-103**  
**Blower 73-103**



Drive end view / Vista lato comando



Non-drive end view / Vista lato opposto comando



Model Modello	DN <sub>a</sub>	DN <sub>m</sub>	a	L	weight kg peso kg
73	G 3	80/3"	160	398	67
103	G 3	80/3"	190	428	74

(1) Not certified dimensions and weights.  
They may vary according to installed motor manufacturer  
(1) Dimensioni e pesi in funzione della marca del motore installato.