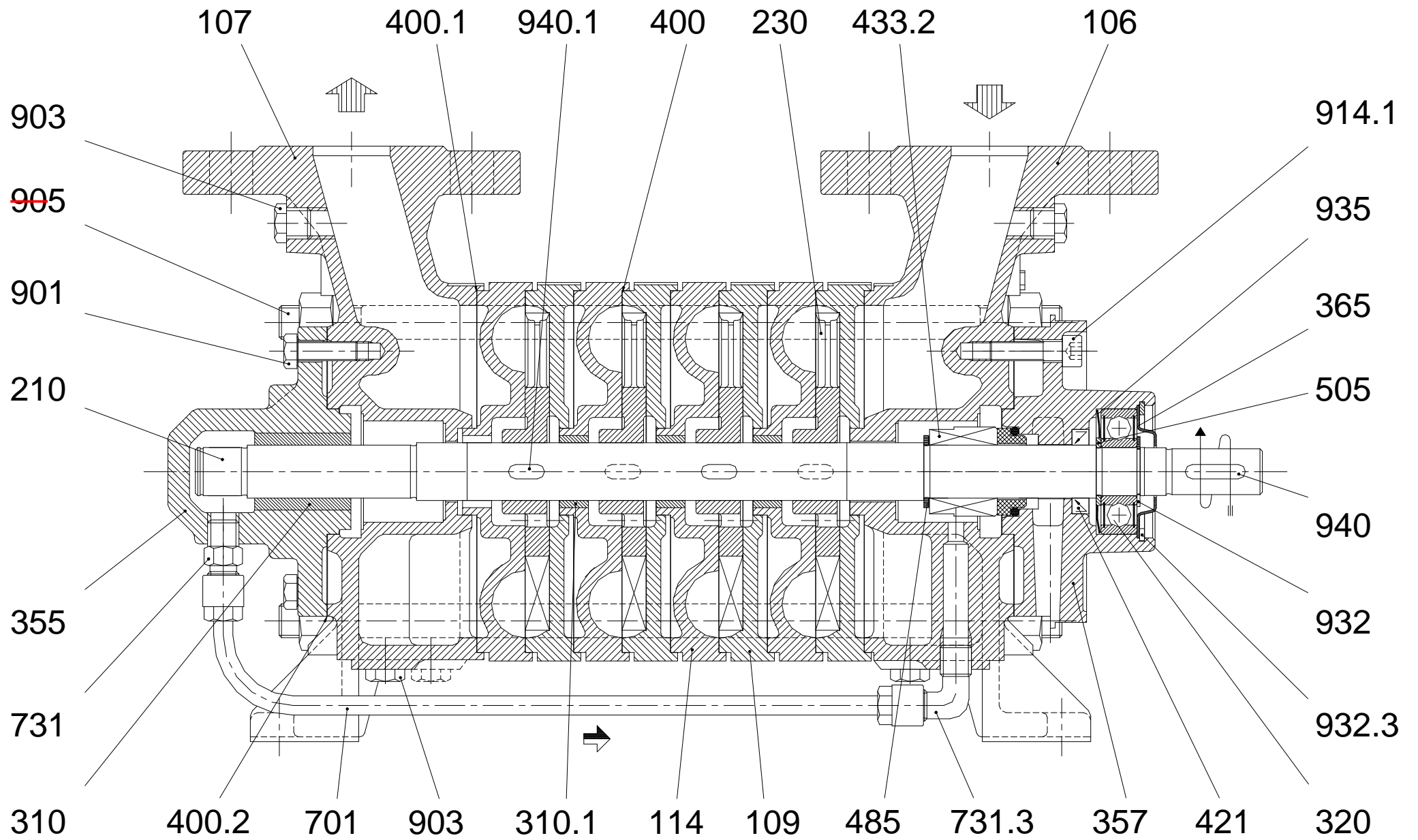


○ Solo esecuzione "A3"  
 "A3" construction only

TBH/C



TBH/R