

pag. 1/2

Versione ad ASSE NUDO – BARESHAFT construction

Z2
Ingresso flussaggio dall'esterno per tenute a baderna
Packed stuffing boxes flushing inlet from outside

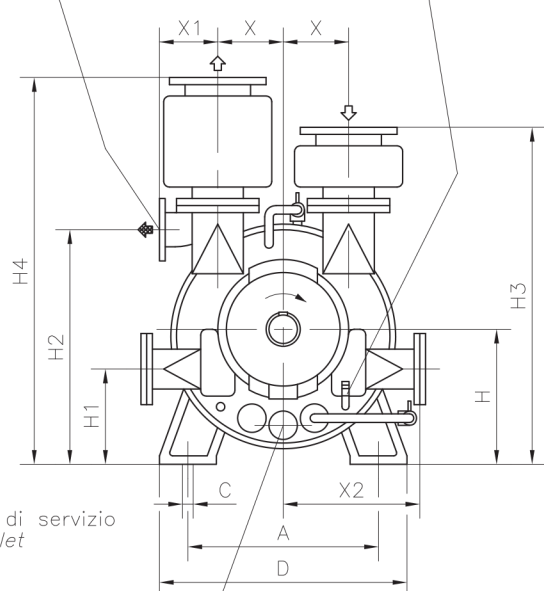
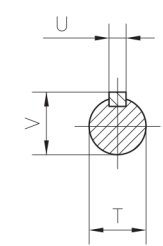
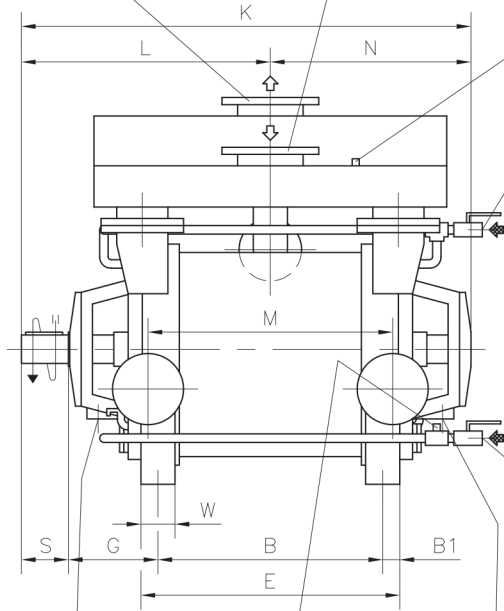
G1/2
Connessione per vuotometro
Vacuum gauge connection

DNM
Scarico gas
Gas discharge

DNA
Aspirazione gas
Gas suction

Z1
Uscita liquido di servizio
Service liquid outlet

Valvola automatica di drenaggio
Automatic drain valve



Z
Ingresso liquido di servizio
Service liquid inlet

Z4
Connessioni per flussaggio e drenaggio
Flushing and drain connections

G1/2
Connessione per manovuotometro
Mano vacuum gauge connection

Z3
Connessione per perdita tenute a baderna
Packed stuffing boxes leakage connection

FLANGE SECONDO UNI 2223-2229-PN 10
Flanges according to UNI 2223-2229-NP 10



POMPA TIPO Pump model	DNA	DNM	A	B	B1	C	D	E	G	H	H1	H2	H3	H4	K	L	M	N
TRSK 2002/1-B				790				895							1580	873	864	707
TRSK 2004/1-B	DN 200	DN 200	670	990	52,5		870	1095	315	475	335	825	1185	1360	1780	973	1064	807
TRSK 2005/1-B				900		35		1005							1695	930	980	765
TRSK 2502/1-B				1150				1270							1985	1075	1240	910
TRSK 2505/1-B	DN 250	DN 250	800	1050	60		1000	1170	335	560	395	930	1370	1570	1885	1025	1140	860
TRSK 3000/1-B				1300	72		1110	1444							2135	1150	1390	985
TRSK 3002/1-B				1110				1240							2170	1188	1210	982
TRSK 3004/1-B	DN 300	DN 300		1480				1610							2540	1373	1580	1167
TRSK 3005/1-B			950	1260	65		1200	1390	355	670	475	1120	1625	1865	2170	1185	1360	985
TRSK 3006/1-B				1700				1830							2760	1483	1800	1277
TRSK 3500/1-B				1608		42		1738					1663	1948	2518	1359	1708	1159
TRSK 3502/1-B				1450				1600							2435	1340	1590	1095
TRSK 3504/1-B	DN 350	DN 350		1670				1820	375	800	560	1335	1875	2160	2655	1450	1810	1205
TRSK 3505/1-B			1120	1450	75		1370	1600							2435	1340	1590	1095
TRSK 4000/1-B				1820				1970				1256	1923	2263	2805	1525	1780	1280
TRSK 4002/1-B				1700				1875							2730	1488	1880	1242
TRSK 4004/1-B	DN 400	DN 400		1950				2125				1555	2220	2560	2980	1613	2130	1367
TRSK 4005/1-B			1320	1700	87,5		1620	1875	400	950	665				2730	1488	1880	1242
TRSK 4504/1-B	DN 450	DN 450		2129				2304				1550	2285	2688	3159	1705	2309	1454
TRSK 5002/1-B				2020		48		2220							3185	1735	2230	1450
TRSK 5004/1-B				2280				2480							3445	1865	2490	1580
TRSK 5005/1-B	DN 500	DN 500	1600	2020	100		1900	2220	450	1120	790	1835	2560	2965	3185	1735	2230	1450
TRSK 5008/1-B				2490				2690							3655	1975	2700	1680

DISEGNO SCHEMATICO – DIMENSIONI IN MM. CON TOLLERANZE SECONDO EN 735-1995 E PESI IN KG. NON IMPEGNATIVI
Schematic drawing – Dimensions in mm. with tolerances according to EN 735-1995 and weights in kgs. not binding

RIF. – Ref.: F.P./C.T. SOSTITUISCE – Replaces: 8315÷8544.OA1.201.03.A

DATA – Date: DICEMBRE 2008 – December 2008 N°.: 8315÷8544.OA1.201.04.A

pag. 2/2

Versione ad ASSE NUDO – BARESHAFT construction

Z2
Ingresso flussaggio dall'esterno per tenute a baderna
Packed stuffing boxes flushing inlet from outside

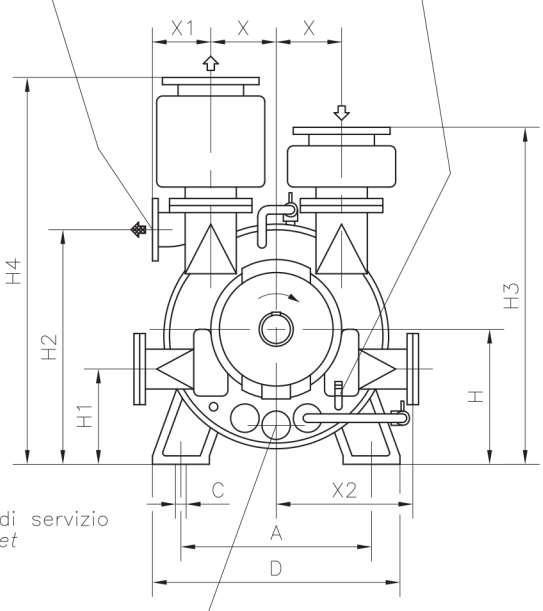
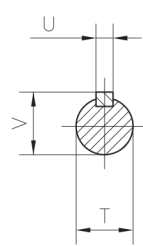
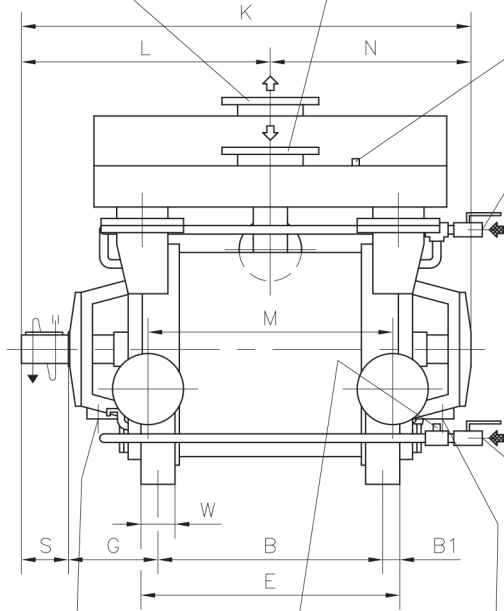
G1/2
Connessione per vuotometro
Vacuum gauge connection

DNM
Scarico gas
Gas discharge

DNA
Aspirazione gas
Gas suction

Z1
Uscita liquido di servizio
Service liquid outlet

Valvola automatica di drenaggio
Automatic drain valve



G1/2
Connessione per manovuotometro
Mano vacuum gauge connection

Z
Ingresso liquido di servizio
Service liquid inlet

Z4
Connessioni per flussaggio e drenaggio
Flushing and drain connections

Z3
Connessione per perdita tenute a baderna
Packed stuffing boxes leakage connection

FLANGE SECONDO UNI 2223-2229-PN 10
Flanges according to UNI 2223-2229-NP 10



POMPA TIPO Pump model	S	T	U	V	W	X	X1	X2	Z	Z1	Z2	Z3	Z4	PESO Weight
TRSK 2002/1-B	165	100	28	106	105	230	205	480	G 1 1/2	DN 100	G 3/4	G 1/2	DN 32	1500
TRSK 2004/1-B														1600
TRSK 2005/1-B														1500
TRSK 2502/1-B														2400
TRSK 2505/1-B														2200
TRSK 3000/1-B	200	140	36	148	130	335	285	685	G 1 1/2	DN 150	G 1 1/4	DN 40	3050	
TRSK 3002/1-B													3500	
TRSK 3004/1-B													3800	
TRSK 3005/1-B													3400	
TRSK 3006/1-B													4000	
TRSK 3500/1-B													4350	
TRSK 3502/1-B													5100	
TRSK 3504/1-B													5500	
TRSK 3505/1-B													5100	
TRSK 4000/1-B													240	160
TRSK 4002/1-B	8000													
TRSK 4004/1-B	8500													
TRSK 4005/1-B	7900													
TRSK 4504/1-B	10200													
TRSK 5002/1-B	280	200	45	190	175	435	370	875	DN 80	DN 200	DN 25	DN 50	11500	
TRSK 5004/1-B													12300	
TRSK 5005/1-B													11500	
TRSK 5008/1-B	280	200	45	210	200	490	370	1025	DN 80	DN 200	DN 25	DN 65	11500	
TRSK 5008/1-B													13950	

DISEGNO SCHEMATICO – DIMENSIONI IN MM. CON TOLLERANZE SECONDO EN 735-1995 E PESI IN KG. NON IMPEGNATIVI
Schematic drawing – Dimensions in mm. with tolerances according to EN 735-1995 and weights in kgs. not binding

RIF. – Ref.: F.P./C.T. SOSTITUISCE – Replaces: 8315÷8544.0A1.201.02.B

DATA – Date: DICEMBRE 2008 – December 2008 N°.: 8315÷8544.0A1.201.03.B