

DIMENSIONI D'INGOMBRO

Overall dimensions

POMPE PER VUOTO AD ANELLO DI LIQUIDO
Liquid ring vacuum pumps

TIPO
Type TRVK 2003÷5003/1-B



**TRAVAINI
PUMPS USA**

Liquid Ring & Rotary Vane Vacuum Pumps and Systems

200 Newsome Drive

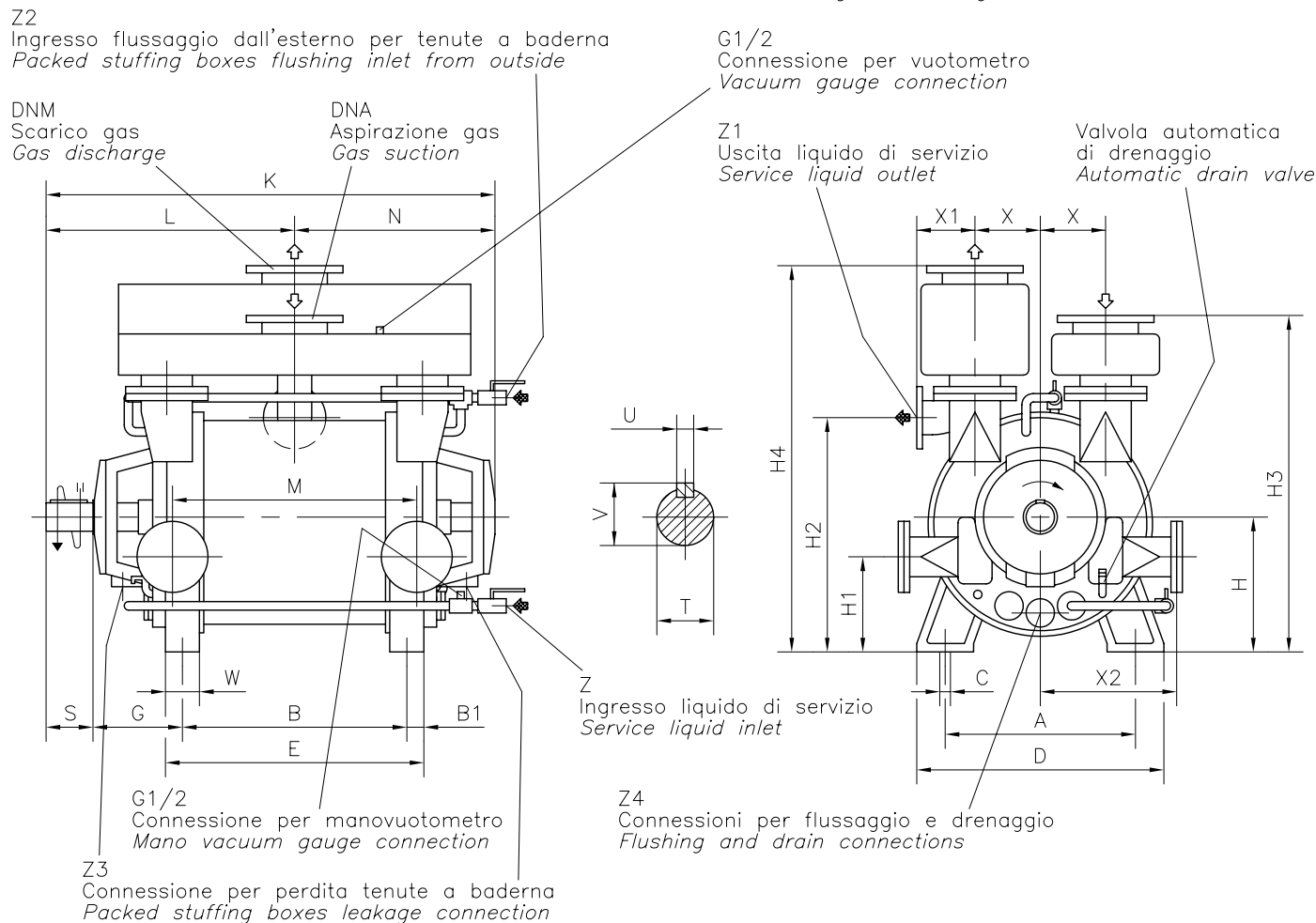
Yorktown, VA 23693

1-800-535-4243

www.Travaini.com

Versione ad ASSE NUDO
BARESHAF construction

FLANGE SECONDO UNI 2223-2229-PN 10
Flanges according to UNI 2223-2229-NP 10



POMPA TIPO <i>Pump model</i>	DNA	DNM	A	B	B1	C	D	E	G	H	H1	H2	H3	H4	K	L	M	N
TRVK 2003/1-B	DN 200	DN 200	670	790	52,5	35	870	895	315	475	335	825	1185	1360	1580	875	864	705
TRVK 2503/1-B	DN 250	DN 250	800	910	60		1000	1030	335	560	395	930	1370	1570	1745	955	1000	790
TRVK 3003/1-B	DN 300	DN 300	950	1110	65	42	1200	1240	355	670	475	1120	1625	1865	2020	1110	1210	910
TRVK 3503/1-B	DN 350	DN 350	1120	1270	75		1370	1345	375	800	560	1335	1875	2160	2255	1250	1410	1005
TRVK 4003/1-B	DN 400	DN 400	1320	1480	87,5	48	1620	1655	400	950	665	1555	2220	2560	2510	1380	1660	1130
TRVK 5003/1-B	DN 500	DN 500	1600	1720	100		1900	1920	450	1120	790	1835	2560	2965	2885	1590	1985	1295

POMPA TIPO <i>Pump model</i>	S	T	U	V	W	X	X1	X2	Z	Z1	Z2	Z3	Z4	PESO <i>Weight</i>
TRVK 2003/1-B	165	100	28	106	105	230	205	480	G1 1/2	DN 100	G3/4	G1/2	DN 32	1400
TRVK 2503/1-B		120	32	127	120	285	245	555	G2	DN 125				2000
TRVK 3003/1-B	200	140	36	148	130	335	285	685	G1 1/2	DN 150	G1 1/4	G3/4	DN 40	3300
TRVK 3503/1-B		160	40	169	150	385		775	G2 1/2					G1
TRVK 4003/1-B	240	180	45	190	175	435	370	875	DN 80	DN 200	DN 25	G3/4	DN 50	7500
TRVK 5003/1-B		200		210	200	490		1025						DN 65

DISEGNO SCHEMATICO - DIMENSIONI IN MM. CON TOLLERANZE SECONDO EN 735-1995 E PESI IN KG. NON IMPEGNATIVI
Schematic drawing - Dimensions in mm. with tolerances according to EN 735-1995 and weights in kgs. not binding

RIF. - Ref.: F.P./C.T. SOSTITUISCE - Replaces: 8113÷8163.OA1.201.05

DATA - Date: SETTEMBRE 2006 - September 2006 N°.: 8113÷8163.OA1.201.06